

## 双柱四工位液压换网过滤器

Double column Four Working station Hydraulic Screen Changer

### 产品介绍:

Product Introduction:

- 该系列换网过滤器设计为四通道四滤网结构, 四网同时工作, 不中断料流, 不中断产品, 实现不停机换网
- 设计有排气系统, 可充分排除物料中和待换多孔板中夹杂的气体, 防止换网过程气体形成于产品中, 提高制品的质量
- 四流道设计更大可能的提高了过滤面积, 满足了更高产量、更高质量的生产要求
- 较大的过滤面积, 适合不同物料, 不同制品的挤出生产
- 具有良好的密封特性, 刚性密封, 使用寿命长
- 具有引料排气、排污功能可保证换网过程产品连续
- 适用于高产能, 高效益, 大型挤出装备的高产量连续化作业
- 结构设计合理, 操作方便, 效果优良
- 根据用户需求可特殊设计、加工各种尺寸规格
- 具有安全防护罩设计
- 用于化纤、吹膜、平膜、流延膜, 管材、板材、线材、纤维的制造, 切粒, 回收造粒等。

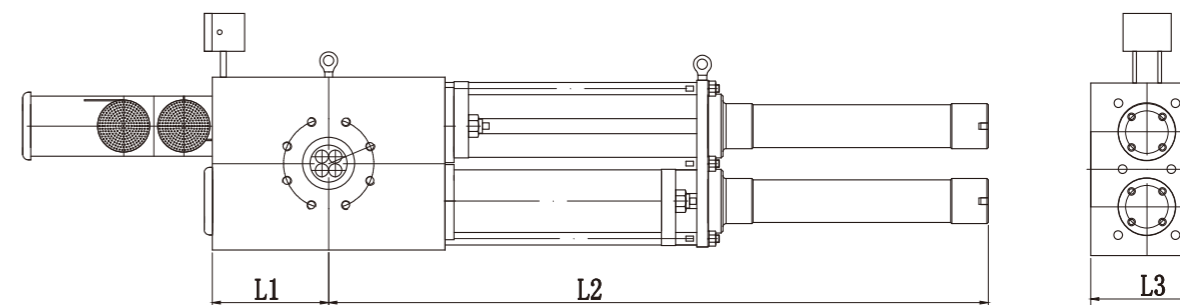


- The design is four channels and four filters. The four filters are working simultaneously without stopping material flowing or mass production. Thus the non-stop screen changing can be achieved.
- The exhaust air system is able to fully discharge the air inside the material or perforated plate which are to be replaced. It can avoid air forming in the product during screen changing, thus improve the product quality.
- Four channel design greatly increase filtering area, and meet the higher quality or quantity production demand.

- Bigger filtering area are applicable for different material or extrusion products.
- It has better sealing characteristics with rigid sealing. The service life is longer.
- It has material filling, air exhausting and impure material discharging function, which guarantee continuous production during screen changing.
- It is applicable for high productivity, high efficiency, high quantity and continuous production of large extrusion plant.
- It has reasonable structure design, easier operation and better working effect.
- We can customize various sizes or standards based on the client's requirement.
- It is configured with safety protection cover design.
- It is used for chemical fiber, blown film, flat film, cast film, pipe, plate, wire, fiber, granulating, recycling pelletizing, etc.

### 技术参数:

Technical Parameter:



产品规格型号 type	相关产量output kg/h	轮廓尺寸(mm) size			滤网尺寸screen size		加热器Heating tube		
		L1	L2	L3	直径 (mm)	面积 (cm <sup>2</sup> )	数量	电压 (V)	加热功率 (W)
ZB-DP-4R-120	260~760	180	1160	220	Ø100	78x4	6	230/400	1000/1300
ZB-DP-4R-145	580~1400	225	1420	270	Ø125	123x4	6	230/400	2000/2400
ZB-DP-4R-170	750~2000	260	1595	310	Ø150	177x4	6	230/400	3000/3500
ZB-DP-4R-195	1350~3000	315	1890	380	Ø175	240x4	6	230/400	3500/4000
ZB-DP-4R-220	1650~3800	350	2100	410	Ø200	314x4	10	230/400	3500/4000
ZB-DP-4R-250	2100~5200	405	2395	460	Ø230	415x4	12	230/400	3500/4000
ZB-DP-4R-280	4500~8500	450	2760	500	Ø250	490x4	12	230/400	4200/5000

注: 实际产量取决于物料的流动性、过滤精度以及物料的纯净度。参数如有变动恕不另行通知。

Note: The actual output depends on material flowability, filter fineness and material purity. Specifications are subject to change without prior notice